

JOYTAP

EVO²



TAPPING/SCREWING UNIT WITH ARTICULATED ARM



JT2 EVO²

OPTION

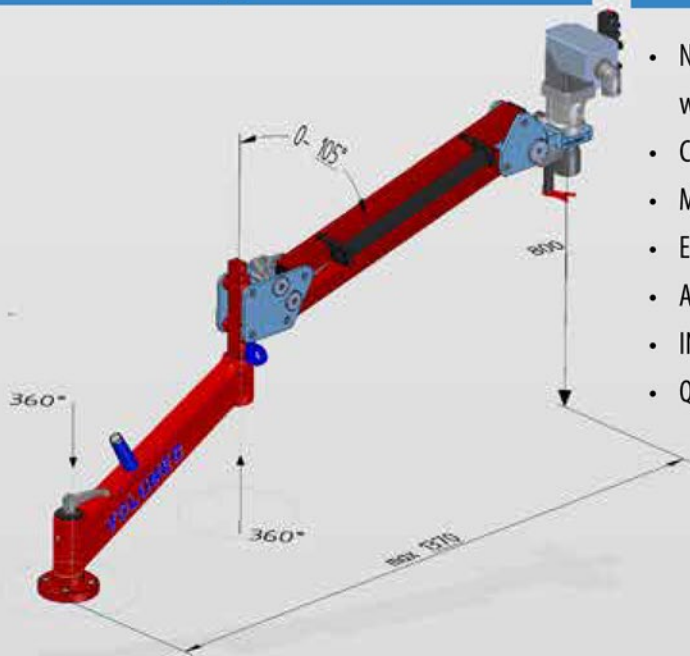
VASTC 4.0 control on motor



Model	Tapping capacity in steel		Speed rpm/min	Working Area mm	Spindle
	Metrics	Inches			
JT2000	M3-M12	1/8" - 1/2"	100 - 1000	1370	GR2
JT2150	M3-M16 (M20)	1/8" - 5/8"	50 - 500	1370	GR2
JT2500	M5-M24 (M27)	5/32" - 7/8"	20 - 200	1370	GR2

Working Area

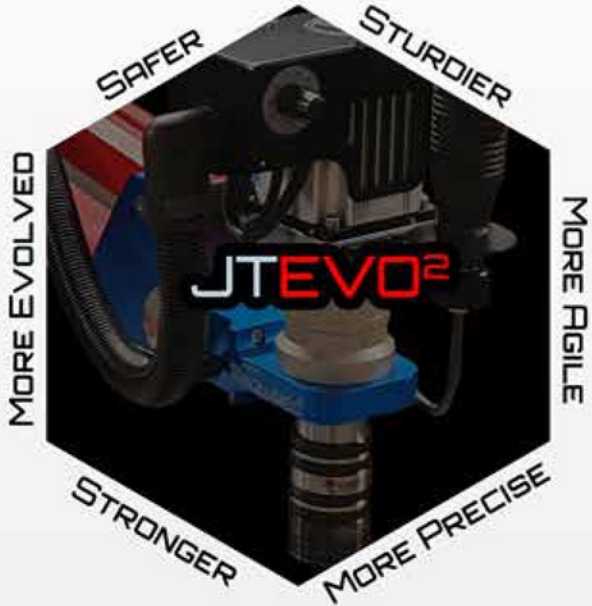
Features



- NEW GENERATION BRUSHLESS MOTOR G2 750 Watt (high performance without maintenance)
- CONSTANT TORQUE TAPPING SPEED CONTROL
- MULTIDIRECTIONAL HEAD WITH POSITIONING MAGNET INCLUDED
- ERGONOMIC ROTATING HANDLE
- ARM STRUCTURE IN CAST ALUMINIUM AND DESIGNATED PROFILE
- INTEGRATED WIRING (SAVE MOBILE WIRING)
- QUICK-CONNECT SPINDLE

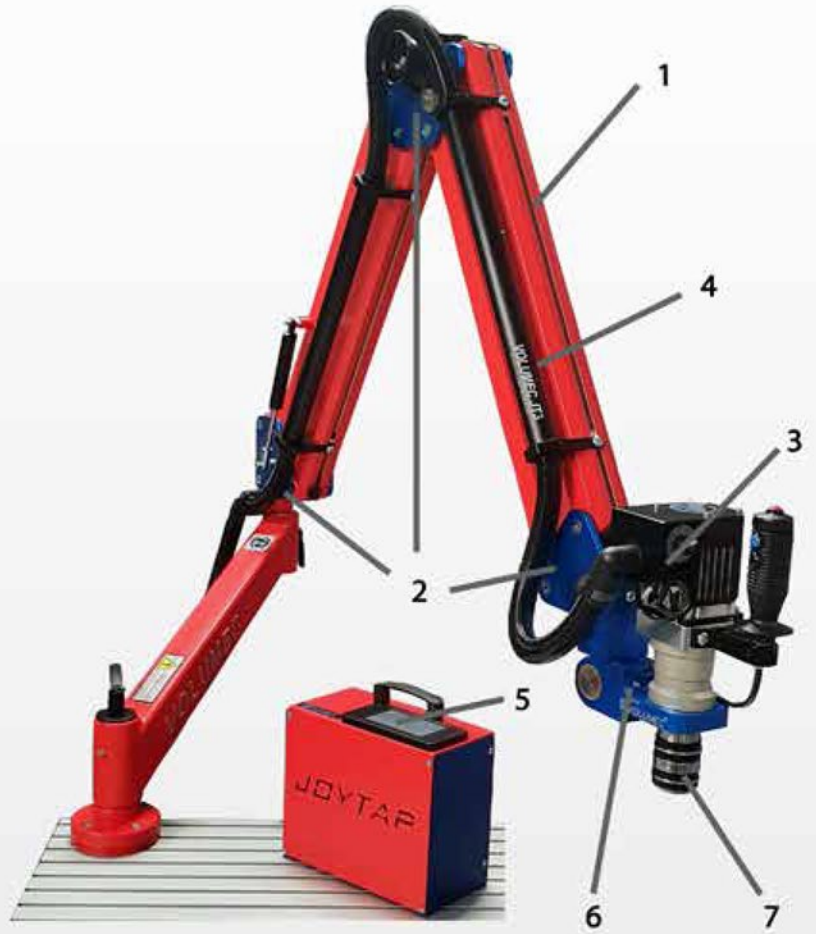


JT3 EVO²



Model	Tapping capacity in steel		Speed rpm/min	Working Area mm	Spindle
	Metrics	Inches			
JT3000	M2-M12	1/8" - 1/2"	100 - 1000	2000	GR2
JT3150	M3-M16 (M20)	1/8" - 5/8"	50 - 500	2000	GR2
JT3500	M5-M24 (M27)	5/32" - 7/8"	20 - 200	2000	GR2
JT3750*	M8-M36	5/16" - 1 3/8"	20 - 145	2000	GR3
JT3750M	M8-M36	5/16" - 1 3/8"	20 - 145	2000	GR3
JT3900*	M10-M48	1/2" - 2"	10 - 90	1600	GR4

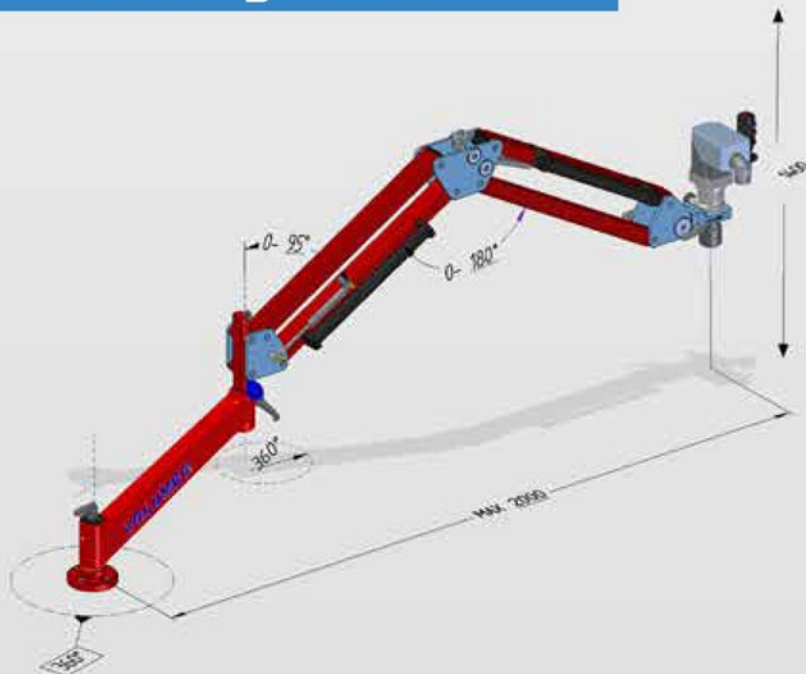
* Fix Head



Strong Points

1. NEW ALUMINIUM STRUCTURE developed with an EXCLUSIVE Volumec profile that provides greater rigidity and precision compared to other models
2. Improved articulated arm MECHANICS for smoothness and strength
3. NEW GENERATION BRUSHLESS MOTOR (G2) with unrivalled performance and reliability
4. INTEGRATED SHIELDED WIRING that does not require awkward adjustments during movement
5. VASTC TOUCH PANEL, the most advanced on the market for screwing/tapping, updated with new functions and with programmable torque (Nm)
6. MULTIDIRECTIONAL HEAD with automatic search for 0-90° work-piece alignment
7. QUICK-CONNECT SPINDLE

Working Area



VASTC

ASSISTED TAPPING-SCREWING CONTROL VOLUMEC.



VASTC



TAPPING

- AUTOMATIC TAPPING (set pitch-depth-speed-torque (Nm) to preserve the tools)
- TAPPING with AUTOMATIC swarf discharge
- MANUAL TAPPING (set speed-torque (Nm) to preserve tools)
- Thread counting performed
- SAFE PROGRAMS, password protected
- Easily PROGRAMMABLE via the INTEGRATED INTERFACE
- Data storage for later reuse
- CONSTANT SPEED AND TORQUE while tapping thanks to the control encoder

SCREWING

- SCREWING with AUTOMATIC STOP when the PRESET TORQUE is reached (set speed – torque in Nm)
- Green light at the end of screwing
- CENTRING SYSTEM before screwing
- COUNTING OF SCREWS performed
- SAFE PROGRAMS, password protected
- Easily PROGRAMMABLE via the INTEGRATED INTERFACE
- Data storage for later reuse
- CONSTANT SPEED AND TORQUE while screwing thanks to the control encoder.

NEW VASTC 4.0 SYSTEM

The new VASTC 4.0 system (assisted screwing tapping control) has been equipped with WIFI connection to be controlled from the comfort of your smartphone, PC and/or tablet:

- LAN connection, WIFI or SIM CARD
- Set the screwing and tapping programs remotely
- Direct download of working report to your device Date/Time
- Number of tapping/screwing
- Pitch/Depth
- Torque
- Speed
- USB port for direct uploading/ downloading of programs to your VASTC control.

VASTC 4.0



HOLES TAPPING	PINS TAPPING	SCREWING	INSERTS	HELICOIL

Bushes & Spindles

BUSHES FOR TAPPING

bushes for tapping with or without clutch in GR1, GR2, GR3 and GR4.

Tapping capacity from M2 to M48.



SPINDLES FOR SCREWING

MPAE 1/4 (for hexagonal inserts)

MPA1/4

MPA 3/8

MPA1/2



DIE HOLDER ADAPTOR

for pins tapping



SPINDLES FOR LAYING INSERTS

from M3 to M20



TOOL HOLDER SPINDLE

For drilling and countersinking

MPS10GR2 (0,5-10 mm.)

MPS13GR2 (1-13 mm.)



POSITIONING MAGNET

allows you to orient the head for tapping in all directions (included in all JT2 and JT3)



Optional

EDS01 ELECTRONIC DEPTH SENSOR



LST01 AUTOMATIC LUBRICATION SYSTEM



FRH0-90 FAST POSITIONING HEAD 0-90°



Accessories

MCA001 TROLLEY FOR TAPPING MACHINE

850x750 mm (total weight 65 Kg)
H= 870 mm
reinforced upper top
internal top with bushes holder
4 turning wheels - 2
with brakes



BML001 WORK STATION

800x600 mm (total weight 150 Kg)
H=870 mm
30 mm base in milled steel
with T-slots internal top
with bushes holder



CCM001 TROLLEY WITH LIFTING COLUMN

Trolley with base 800x800 mm
H=2000 mm
4 turning wheels, 2 with brakes,
pushing handle.
Total weight: 220 kg.



BML002A SIDE PLATE 90°

600 mm x 300 mm in 30 mm milled
steel with T-slots



CCF001 LIFTING COLUMN

H=1850 mm, handling on
linear guide and trapezoidal
bar piloted by electric
or pneumatic screwdriver
Weight 60 Kg



CCF100 TROLLEY 800X800 MM

30 mm base
Central supporting column
Arm H=1000 mm
4 turning wheels, 2 with brakes
Weight 165 Kg



Why Volumec® ?

- VOLUMEC® IS THE COMPANY THAT :
- DEVELOPED THE ALUMINIUM ALLOY ARTICULATED ARMS (EASYARM)
- PRODUCED THE ELECTRIC TAPPING MACHINES WITH BRUSHLESS MOTOR (JOYTAP AND SNIPER)
- CREATED AN ASSISTED ARTICULATED ARM DRILLING UNIT (DRILLTRONIC VAPS)
- CREATED THE MOBILE MANIPULATOR (ROVER RM01)
- DEVELOPED CUSTOM SOLUTIONS TO CUSTOMER REQUIREMENTS

Quality and reliability

- Heavy-duty aluminium construction
- More than 16 years of experience in the design, manufacture and maintenance of tapping arms
- Adjustable balance for easy manoeuvrability
- Premium design and finish

Lightweight and versatile

- Light weight and compact size allows for easy installation and repositioning
- Tapping, Screwing, Reaming, Countersinking, Fixing, Laying inserts and small diameters drilling

Practical and simple

- Uses standard quick-change tap adaptors
- no need to purchase speed modules
- Wide range of pneumatic and electric models allows you to choose the model that best suits your needs

Reliable and safe

- 2-year warranty on all mechanical parts against defects in materials and workmanship
- The research and development of the materials used and the technical solutions adopted guarantee the quality and safety of each Volumec® product.

TRUST THE ORIGINAL!



Via Del Mercato 5 - 31020
Sernaglia della Battaglia (TV) - ITALY
Phone +39 (0)438 900299 Fax: +39 (0)438 1896510
www.volumec.it - www.easyarm.it - info@volumec.it

